

Larsen's®

Occult Series Fire Extinguisher, Fire Hose, and Fire Department Valve Cabinets Submittal and Detail sheet

PROJECT: _____ LOCATION: _____
 MODEL NUMBER: _____ QUANTITY: _____
 ARCHITECT: _____ CONTRACTOR: _____
 DATE: _____ DISTRIBUTOR: _____

GENERAL DESCRIPTION: The Occult Series features an attractive door and concealed hinge which combine to give the cabinet a clean, trimless appearance. When the door is closed, it completely covers the cabinet's flange, which is on the outside of the wall surface.

BOX SPECIFICATION: The units have a cold-rolled steel box with a 3/4" wide flange (**Occult cabinets with the fire-rated option have a 1 1/2" wide flange and larger overall dimensions - see reverse side or attached sheet**). The standard color is matte black and white is available, if specified. The 0-4016 combination valve and extinguisher cabinet is furnished with a heavy gauge steel shelf, 12" up from the bottom of the box, leaving approximately 28" of available space for the fire extinguisher.

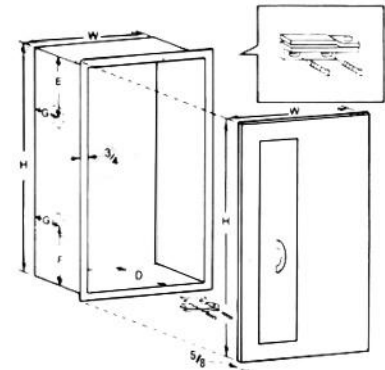
DOOR SPECIFICATION: The Occult door is 5/8" thick and is available in the Solid or Vertical Duo style - each available with the optional Larsen-Loc®, which provides the protection of a locked cabinet without requiring the breaking of glass to gain emergency access to the cabinet. The concealed hinge is constructed of aluminum with a stainless steel pin and allows the door to open 180°. The standard door material is cold-rolled steel with white baked acrylic enamel, which can be used either as a finish or prime coat. Optional door materials include aluminum, stainless steel, solid brass, and solid bronze. The aluminum door has a satin anodized finish. Clear anodized is standard and a selection of optional color anodized finishes is available. The standard stainless steel door is 304 stainless steel with #4 finish. Solid brass and solid bronze doors feature a standard satin finish with a clear protective coating. Optional polished finishes are available for the stainless steel, solid brass, and solid bronze doors. All standard Occult doors are supplied with a satin finish pull handle with a self adjusting roller catch. If specified, the pull handle can be deleted. Larsen's optional die cast "FIRE" handle can be specified in lieu of the standard pull handle (see reverse side or attached sheet).

TO SPECIFY THE OCCULT SERIES:

1. Use the appropriate prefix for the corresponding door material. For steel - no prefix is required. For aluminum - use AL. For stainless steel - use SS. For solid brass - use B. For solid bronze - use BZ. (If required, specify optional polished finishes for stainless, brass, or bronze).
2. Select the required model number from the table below.
3. Select the door style (Solid or Vertical Duo) and if required, the optional die cut lettering.
4. If the Vertical Duo Door is specified, select the required glazing from the table below (DSA is standard).
5. If required, specify the Larsen-Loc®, which can be combined with the Solid Door or any of the V-Duo Door glazing options listed below.
6. The pull handle is standard. (If required, specify the option of deleting the standard pull handle or substituting the optional die cast "FIRE" handle (see reverse side or attached sheet). **NOTE: The standard pull handle or the "FIRE" handle must be used, if the Larsen-Loc® is specified.**
7. If the fire-rated option is required, see reverse side or attached sheet for special dimensions and other specifications.

DIMENSIONS*

| Model Number | Inside Box Dimensions HxWxD | Outside Flange Dimensions HxW | Outside Door Dimensions HxW | Rough Opening HxWxD | KNOCKOUT LOCATIONS E F G | Interior Capacity |
|--------------|-----------------------------|-------------------------------|-----------------------------|-----------------------|--------------------------|--|
| O-2409 | 24x9 1/2 x6 | 25 1/2 x11 | 25 3/4 x11 1/4 | 24 1/2 x10 x6 1/4 | N/A | MP2 1/2, MP5, MP5-A, MP6, MP10, DC2 1/2, DC5, DC6, DC10, CD5, HT2 1/2, HT5 |
| O-3216 | 32x16x8 | 33 1/2 x17 1/2 | 33 3/4 x17 3/4 | 32 1/2 x16 1/2 x8 3/4 | N/A | PW2-1/2, MP20, DC20, CD10, CD15, CD20, WC6-L, HT11, HT15 1/2, WM2 1/2 |
| O-1818 | 18x18x8 1/2 | 19 1/2 x19 1/2 | 19 3/4 x19 3/4 | 18 1/2 x18 1/2 x8 3/4 | 9" - 4" | One Fire Dept. Valve w/cap and chain |
| O-4016 | 40x16x8 1/2 | 41 1/2 x17 1/2 | 41 3/4 x17 3/4 | 40 1/2 x16 1/2 x8 3/4 | - 6" 4" | One Fire Dept. Valve w/cap and chain and a Fire Ext. |
| O-3232 | 32x32x8 1/2 | 33 1/2 x33 1/2 | 33 3/4 x33 3/4 | 32 1/2 x32 1/2 x8 3/4 | 4" 4" 4" | One hose rack unit With 100' of rack hose and a Fire Ext. |



*NOTE: THE ABOVE DIMENSIONS ARE FOR NON FIRE-RATED CABINETS, ROUGH OPENING DIMENSIONS AS WELL AS OUTSIDE FLANGE AND DOOR DIMENSIONS ARE LARGER FOR FIRE-RATED OCCULT CABINETS - SEE FIRE-RATED OCCULT SERIES.

VERTICAL DUO DOOR

VERTICAL DUO DOOR WITH LARSEN-LOC™

VERTICAL DUO DOOR Optional Lettering

SOLID DOOR Optional Lettering

DOOR MATERIAL:

Steel

Aluminum (AL)

Stainless (SS)

Brass (B)

Bronze (BZ)

Other _____

DOOR STYLE:

Solid

Vertical Duo

Optional Larsen-Loc® (available with either Solid or V-Duo Door)

OPTIONAL DIE CUT LETTERING COLOR:

Red

Black

White

OPTIONAL DIE CUT LETTERING STYLE:

Vertical

Horizontal

Type A

DOOR GLAZING & OPTIONS:

Clear Acrylic (Standard)

Clear Tempered Safety Glass

Clear Wire Glass

Laminated Safety Glass

Bronze Acrylic

Gray Acrylic

(Other) _____

Distributed by
www.FireCabinets.com
 Phone: (800) 608-6568
 Fax: (409) 840-5545
 info@firecabinets.com