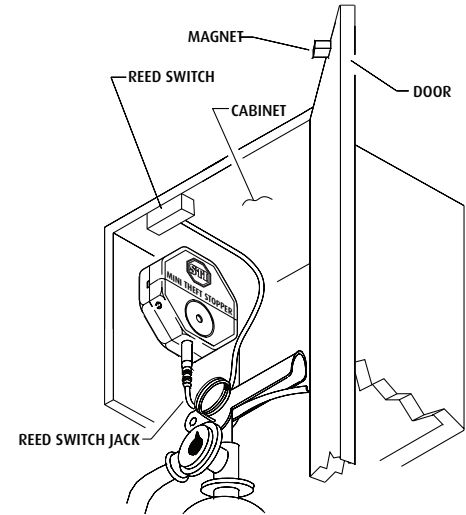


HOUSING INSTALLATION

INSTALLATION NOTES

STI-6254 Magnet/reed switch only
STI-6255 Clip and magnet/reed switch

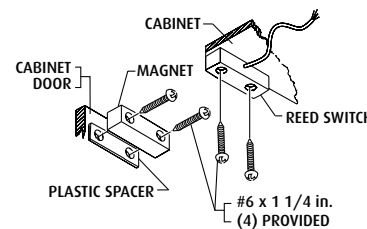
1. Magnet and reed switch must be within 1/2 in. on non-metallic surface when door is closed. Metal surface requires closer spacing and use of plastic spacers.
2. When mounting alarm inside cabinet, deactivation pin can be removed without sounding alarm. When door is closed, alarm is active upon next opening of door, be sure to test this installation by re-opening door. If alarm does not sound, check magnet/reed switch installation. If alarm sounds reset alarm with deactivation pin, then remove pin and close door. Alarm is now ready to sound when door is opened.
3. Alarm will reset in approximately 3 minutes after cabinet door is closed or activation clip is reset.
4. To reset the alarm immediately or service the fire extinguisher, the deactivation key pin must be used.



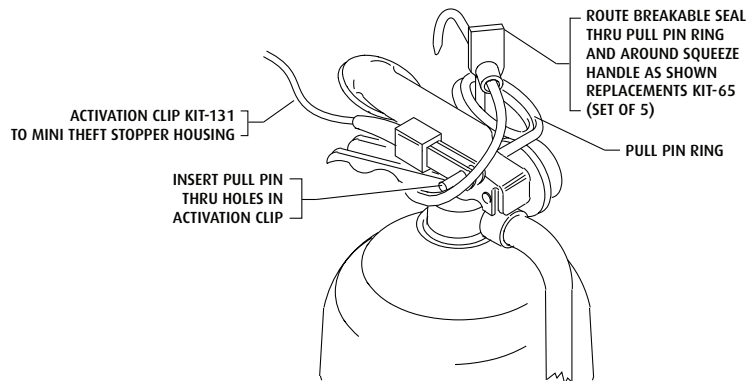
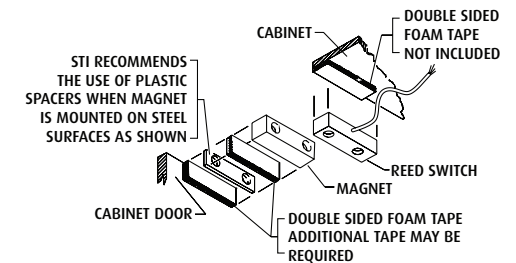
CABINET MOUNT

CABINET MOUNT OPTIONS FOR SUB-132

MAGNET AND REED SWITCH SECURED WITH (4) SCREWS



MAGNET AND REED SWITCH SECURED WITH ADHESIVE PATCH



FREE STANDING EXTINGUISHER CLIP ACTIVATION

WARNING: This product can expose you to chemicals including 1,3-Butadiene, which is known to the State of California to cause cancer and reproductive harm. For more information, go to www.P65Warnings.ca.gov.

Three year warranty or a one year limited warranty (from date of purchase) on most products.

INSTALLATION OF STI-6254, STI-6255 MINI THEFT STOPPER®

All specifications and information shown were current as of publication and are subject to change without notice.

6255IS SEPT2016

Distributed by
www.Ameraproducts.com
Phone: (800) 608-6568
Fax: (409) 840-5545
info@ameraproducts.com