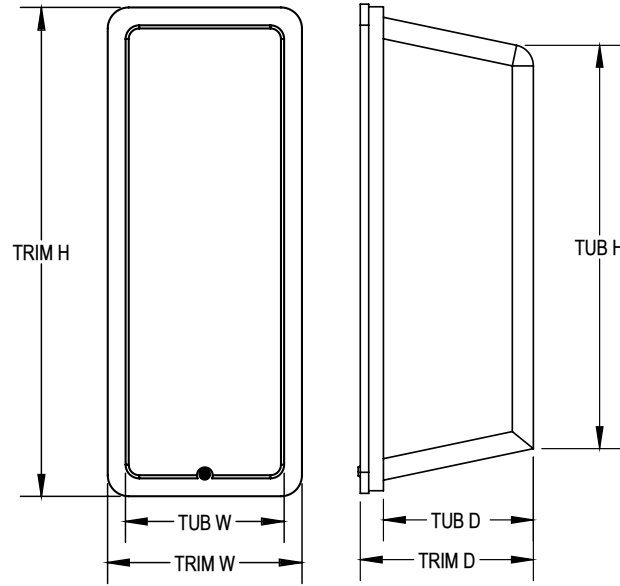


FIRE EXTINGUISHER CABINET - CHIEF

Cato's affordable fire extinguisher series, manufactured in the U.S, provides a dent and rust proof alternative to metal. Cato's Chief series fire extinguisher cabinets feature a security hexagonal lock and key to open and remove the trim and cover panel, which features scored lines to easily break when struck with tool in case of fire.



Chief 105-5 WWC-H



SPECIFICATIONS:

Tub and Frame Material: Injection molded high impact crystal polystyrene in .110 thickness with ultra-violet inhibitors for UV resistance

Tub and Trim Colors: Available in red or white

Cover Material: .080 Acrylic front panel, grid scored for improved emergency access with break tool

Acrylic Colors: Available in clear or red (for best outdoor UV resistance)

Break Tool: Polypropylene injection molded stainless steel tipped hammer with ribbed grip handle and a clear nylon coated stainless steel cable that matches trim color

Break Tool Option: Stainless steel break bar

Decals: UV resistant "FIRE" and "Break Panel" decals included

Hardware: Polystyrene hexagonal lock and key installed

Sizes: Refer to table, listing model sizes with their compatible extinguishers from 2.5 - 20lbs

Options: Customizer cover panel, extinguisher tray



QTY	MODEL	TUB, TRIM & COVER COLOR	BREAK TOOL	TUB INNER DIMENSION H x W x D	TRIM OUTER DIMENSION H x W x D	WALL OPENING	WEIGHT (LBS.)	COMPATIBLE FIRE EXTINGUISHERS
	105-5	WWC - White tub, white trim, with clear cover	H - Hammer (color matches trim)	16-3/4" x 6" x 5-3/8"	19-1/4" x 8-1/4" x 6-3/4"	Surface Mount	3.5	Cosmic 2.5-5 Galaxy 2.5-5
		RRC - Red tub, red trim, with clear cover	B - Stainless Steel Break Bar					
	105-10	WWC - White tub, white trim, with clear cover	H - Hammer (color matches trim)	20-1/2" x 6-3/4" x 6"	23-1/4" x 9-1/4" x 7-1/4"	Surface Mount	4.5	Cosmic 2.5-10 Galaxy 2.5-10 Mercury 2.5-11
		RRC - Red tub, red trim, with clear cover	B - Stainless Steel Break Bar					
	105-20	WWC - White tub, white trim, with clear cover	H - Hammer (color matches trim)	26" x 9" x 8"	28-1/2" x 11-1/2" x 9 1/2"	Surface Mount	6	Cosmic 2.5-20 Galaxy 2.5-20 Mercury 2.5-15.5 Sentinel 5, Saturn 15
		RRC - Red tub, red trim, with clear cover	B - Stainless Steel Break Bar					



Distributor:

Project:

Contractor:

Approved By:

Date:

Architect:

Scale: N/A




Pages: 1 of 2

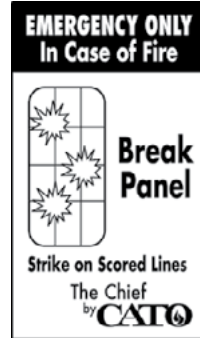
Item #:

9702 Newton Avenue S, Bloomington, MN 55431

FIRE EXTINGUISHER CABINET - CHIEF

Decals Included

BREAK TOOL	
10011R Red Hammer Assembly	
10011W White Hammer Assembly	
10008 Stainless Steel Break Bar	



CL-415 Decal



CL-401 Decal available with red or white background



WWC - White Tub & Trim with Clear Cover



RRC - Red Tub & Trim with Clear Cover



10006R Red Hex Key

DECALS	
ITEM	DESCRIPTION
CL-401R	Fire Extinguisher "Fire" with red background
CL-401W	Fire Extinguisher "Fire" with white background
CL-403	Arrow 4"X18"
CL-412	Fire Extinguisher 1"X15" "Fire Extinguisher"
CL-413	Arrow 4"X12" "Fire Extinguisher"
CL-415	"Break Panel"
CL-416	"Felony Warning" Red
CL-422	"Extinguisher Missing"
CL-423	"Kitchen Suppression"
CL-426	Chromium Extinguisher Label

CHIEF REPLACEMENT PARTS	
ITEM	DESCRIPTION
10503	105-5 White Tub
10553	105-5 Red Tub
10001W	White Lock Assembly
10001R	Red Lock Assembly
10505	105-5 White Frame & Lock
10555	105-5 Red Frame & Lock
10575	105-5 Clear Plexiglass
10595	105-5 Clear Pull Panel
11003	105-10 White Tub
11053	105-10 Red Tub
11005	105-10 White Frame & Lock
11055	105-10 Red Frame & Lock
11075	105-10 Clear Plexiglass
11065	105-10 Red Plexiglass
11095	105-10 Clear Pull Panel
12003	105-20 White Tub
12053	105-20 Red Tub
12005	105-20 White Frame & Lock
12055	105-20 Red Frame & Lock
12075	105-20 Clear Plexiglass

ACCESSORIES	
ITEM	DESCRIPTION
10300	Extinguisher Tray (not available on 105-20)



Fire Extinguisher Tray Accessory



It is the responsibility of the customer to communicate specifications and product performance requirements that are needed for their application. This document is intended to convey potential product configurations and offerings. It is not to be used to imply or represent a specification or rating, of finished products shipped. Detailed, specific submittals can be created upon request. It is the responsibility of the customer to specify product accordingly to comply with local laws, codes, and ordinances.